



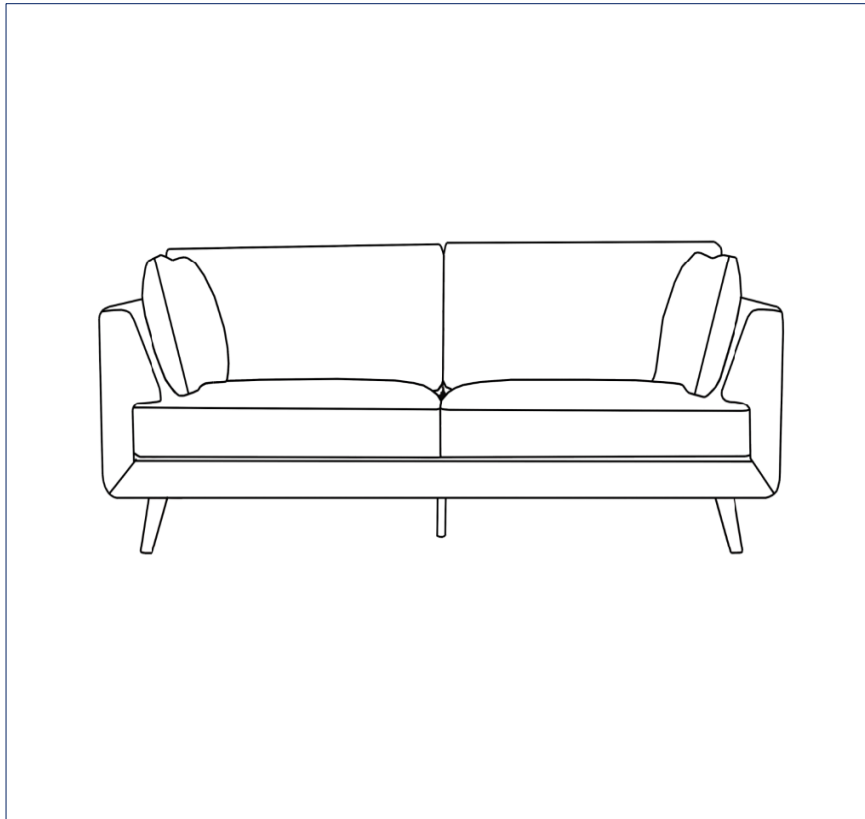
ASSEMBLY INSTRUCTION

LILOU 2 SEATER SOFA

ITEM CODE 72582

Imported by Amart Furniture Pty Ltd, Qld, Brisbane Australia.

For any assistance with assembly or for missing parts please phone
Amart Furniture, Customer Service Free call 1800 351 084



Imported by Amart Furniture Pty Ltd, Qld, Brisbane Australia.

For any assistance with assembly or for missing parts please phone
Amart Furniture, Customer Service Free call 1800 351 084

PRE-ASSEMBLY PREPARATION

Before you start:

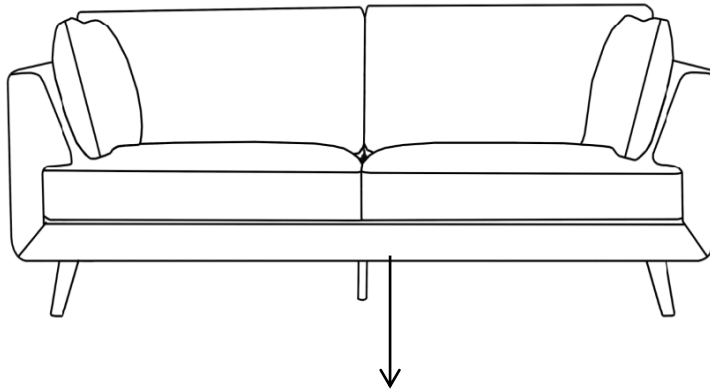
1. Choose a clean, level, spacious assembly area. Avoid hard surfaces that may damage the product
2. Take care when lifting. Product should be assembled as near as possible to the point of use
3. Ensure that you have all required contents for complete assembly
4. Always read the assembly instructions carefully before beginning assembly.
5. Keep all hardware parts and packaging out of reach of small children.
6. Do not over tighten the screws and bolts as this may damage the threads







WARNING

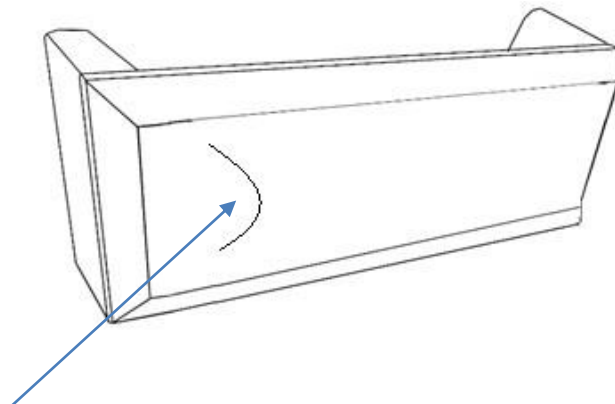
DO NOT ALLOW CHILDREN TO PLAY ON THIS MECHANISED FURNITURE OR OPERATE THE MECHANISM. CHILDREN SHOULD ALWAYS BE SUPERVISED WHEN USING THIS FURNITURE. PLEASE KEEP YOUR BODY CLEAR OF THE MECHANISM AT ALL TIMES

PARTS LIST



PART I

<i>HARDWARE LIST</i>			
	<i>DESCRIPTION</i>		<i>QTY</i>
<i>A</i>	Sofa Leg		4PCS
<i>B</i>	Big screw		8PCS
<i>C</i>	Allen key		1PC
<i>D</i>	Support leg		1PCS



PLEASE TAKE NOTE:

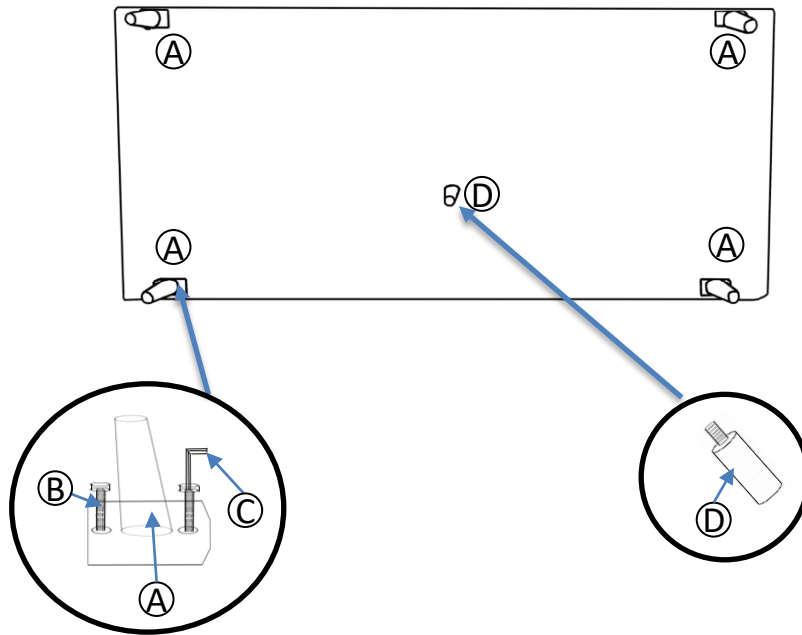
YOUR SOFAS FEET AND BOLTS\SCREWS ARE LOCATED AT THE END OF THE RED STRING, UNDERNEATH THE ZIP IN YOUR DUST COVER. PIECES REQUIRE FOR ASSEMBLY ARE LOCATED INSIDE THE DUST COVER UNDERNEATH SOFA.

Step 1

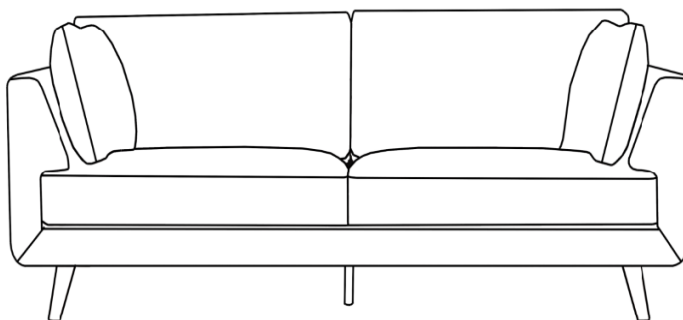
DETAILS (1) - Align base plate of each foot (A) with the pre-threaded holes in the undersides of the sofa as shown in the below diagram. Insert Bolt (B) and tighten by turning clockwise using Allen key (C)

DETAILS (2) - Align base plate of each foot (D) with the pre-threaded holes in the undersides of the sofa as shown in the below diagram..

PART I



Step 2 PART I ASSEMBLY COMPLETED



IMPORTANT:

PLEASE ENSURE FEET ARE TIGHTENED SECURELY BEFORE USE!

CARE LABEL

FABRIC CARE

REGULAR CARE: PROTECT FROM DIRECT SUNLIGHT.
VACUUM REGULARLY USING LOW SUCTION.
ROTATE REVERSIBLE CUSHIONS REGULARLY.

CLEANING:

DO NOT REMOVE CUSHION COVERS FOR SEPARATE
CLEANING EVEN THOUGH THEY HAVE ZIPPERS.

DO NOT WASH

DO NOT DRY CLEAN

DO NOT SHAMPOO CLEAN

CLEAN WITH HOT-WATER EXTRACTION MACHINE.

(HOT) PROFESSIONAL CLEANING RECOMMENDED

DO NOT USE DISHWASHING OR LAUNDRY
DETERGENTS

USE ONLY UPHOLSTERY DETERGENTS

DO NOT WET FILLING

DRY IN SHADE AWAY FROM DIRECT HEAT AND
SUNLIGHT

ALLOW TO DRY THOROUGHLY BEFORE RE-USE

SPOT CLEANING:

DO NOT RUB

DO NOT SPOT CLEAN WITH ANY SOLVENT.

TREAT SPILLS AND STAINS AS SOON AS POSSIBLE.

GENTLY SCRAPE ANY SOIL OR MOP ANY LIQUID
FROM THE SURFACE OF THE FABRIC.

APPLY PROPRIETARY CLEANING AGENTS STRICTLY
ACCORDING TO INSTRUCTIONS TO REMOVE THE
RESIDUE OF THE SPILL.

DO NOT SATURATE THE FABRIC OR INTERIOR WITH
WATER OR OTHER CLEANING LIQUIDS.

WARNING: APPLY ONLY WATER-BASED SOIL RESIST
(FABRIC PROTECTION) TREATMENTS. DO NOT USE
AEROSOL PRODUCTS.